

A3.8dBi UHF all-in-one Reader Antenna

电气性能 Electrical Specifications	
频率范围 Frequency Range (MHz)	902-928MHz
增益 Gain (dBi)	3.8dBi
半功率角 Beam Width (°)	Hor: $116 \pm 3^\circ$ / Ver: $116 \pm 3^\circ$
驻波比 VSWR	≤ 1.5
阻抗 Impedance (Ω)	50
极化方式 Polarization	Circular polarization
轴比 axial ratio (dB)	≤ 3 dB
最大功率 MAX. Power (W)	5

机械性能 Mechanical Specifications	
接头 Connector	MMCX/IPEX
接头位置 Connector position	Internal lead out 12CM
天线尺寸 Dimension (mm)	95*95*40
净重 Antenna weight (kg)	0.14
辐射材料 Reflector material	F4B
天线罩材料 Radome material	ABS
天线罩颜色 Radome color	Black
防护等级 International Protection	IP64
工作温度 Operating temperature (°C)	-40~55°

Product Features

A3.8dBi antenna is suitable for passive integrated machine reader/writer systems in the 902-928MHz frequency band; Can be conveniently applied to Modbus industrial production lines

RFID applications in UHF frequency bands such as access control and logistics management

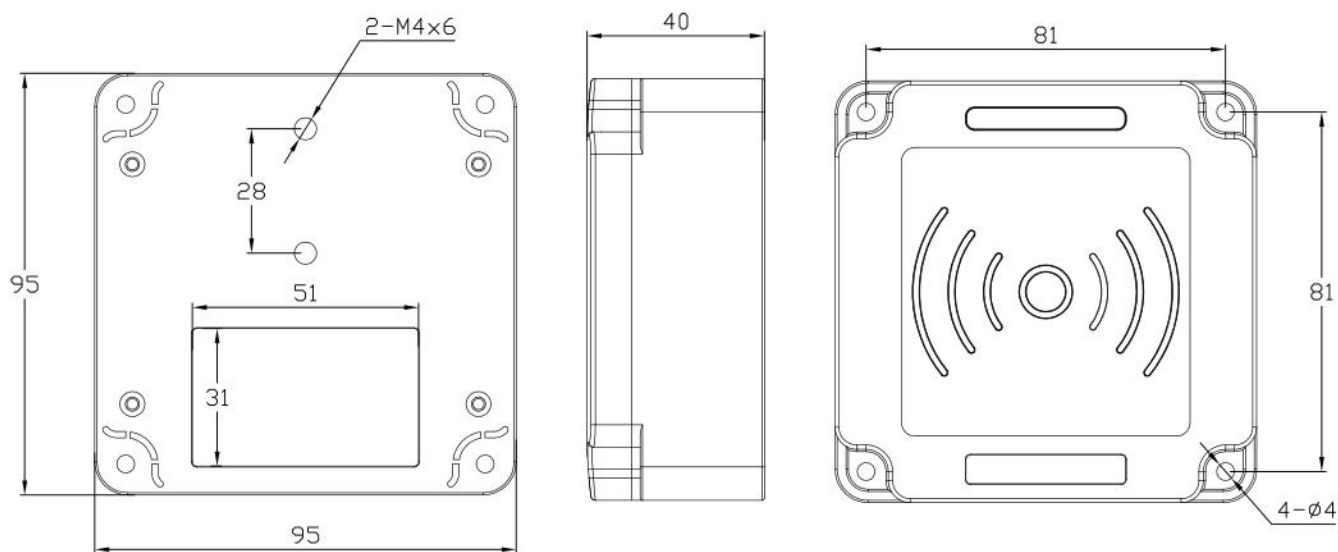
Physical advantages: IP64 protection level and small size.

Electrical performance advantages: low axial ratio, low loss, high gain, and wide application scenarios.

Product images



Product dimension diagram



Reference direction diagram

