

高安全抗金属防水超高频RFID铅封标签

Truth 3 States On Metal Use Water Proof IP66 UHF RFID Seal Tag

Draft
初稿



基本参数/Basic Parameters

尺寸/Size (L/OD x W/ID x H)	381*50*19mm(ID/OD:圆形标签内径/外径,ID/OD:inner/outer diameter of round tags)
面材封装/FaceStock or Housing	塑料外壳+镀锌钢丝/ABS Plastic Housing + Galvanized Steel Wire Cable
安装方法/Installation	悬挂/Hanging Style
天线工艺/Antenna Type	铝天线/Aluminum Antenna
技术/Technology	平面微带/Microstrip Flat Style
离型纸/Backing Liner	无/None
特征/Characters	防伪(Tamper Proof)/防水(Water Proof IP66)/抗金属(On Metal Use)/侦测(Detection Sensor)

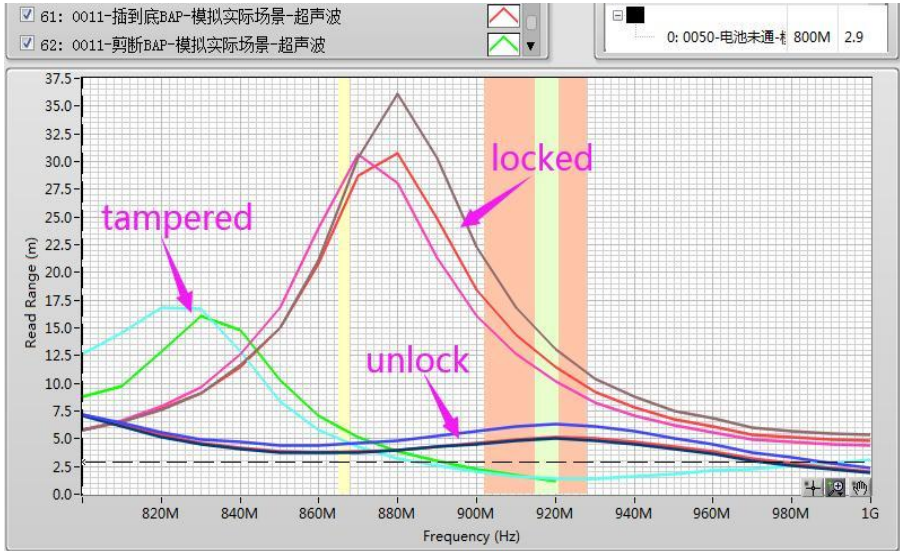
产品特性/Product Feature

芯片/Chip Model	CAB1/VBL7-NC
协议/Protocol	ISO18000-6C GEN2 V2
频率范围/Operating Frequency	865-868Mhz
内存/Memory	TID/UID 112bit+ EPC/Block 192bit+ User File_0 with 512bit+ Reserve 112bit
读距/Reading Range	1500cm (depends on reader)
应用介质/Applicable Surface	空气(Air-free)/金属(On metal)
个性化选项/Option	定制彩色印刷条码文本或个性化编码Custom color printing(Embossing or laser-engraving) with barcode or text & personalization encoding

Battery Life: Embedded 165mAH Coin Battery will support a maxium life of 12months counted from the moment of wire seal LOCKED 电池寿命: 从铅封上锁的时刻算起, 内置165mAH纽扣电池可以支持连续使用12月

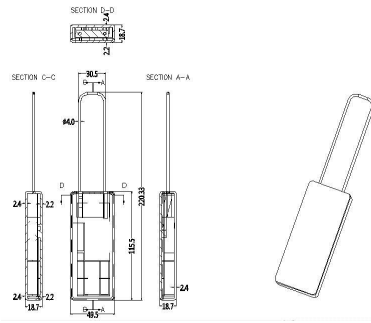
The cable wire diameter of this RFID Seal Tag is 4mm.This RFID SEAL TAG is required Latest version of BU01 READER or PU01 PDA for Tamper Identification in order to have reliable & stable response. Universal RFID Reader can only identify Tamper Status in the reading range of Far Field(see the related app instruction). 5 States of FAKE, TRUE, UNLOCKED, LOCKED and TAMPERED are available in this RFID SEAL TAG with special encryption encoding either online & offline tracking management此款标签的钢丝直径是4mm, 该款设计的铅封标签需要使用最新版本的BU01或PU01 PDA配套读写器才能在正确可靠识别侦测状态。通用读写器只能正确识别远距离的侦测状态(参见应用说明书),带特殊加密的标签5种状态包括假的、真的、未锁、已锁、篡改可以通过在线或离线方式进行验证管理

附加说明/Additional



供货方式/Delivery & Supply Format

单片/单个/单张供货每袋50-200片/张(特殊要求见附加说明) Supply in piece or sheet with 50-200pcs per box(Check Additional Note for your specific request)



应用场景/Application

防伪标签主要是用在香烟、酒品（如红酒、啤酒、白酒等）、化妆品、药品、农药、农副产品、食品、动物溯源、零配件领域，以实现产品的标识、跟踪、及溯源查询或监管，包括物流供应链、数字化仓储、溯源监管，以及相关涉密文件档案、信件、支票发票、证件、考试试卷案宗，如学生证、监狱犯人档案、银行汇票、文件袋封签、箱封、产品QC/保修封条等等。Anti-counterfeiting tag mainly used for Tobacco/Cigarette, Liquors(white wine/black wine/beer/whisky), cosmetic, medicine, drug/medicine, Farm chemical like pesticide, food, animal traceability, spare part anti-fake tracking as a product identification for item/goods tracking, monitoring and supervision management. Including logistics supply chain, digital warehousing, source traceability, even more related security document and confidential files, letters, ticket, bank proof, certification, exam paper, special document seal like the prisoner's profile and so on document management, box seal, product QC sticker/warranty seal and so on.



环境参数/Environmental Parameter

数据保存/Data EEPROM Retention	10years
静电保护/ESD Limited Voltage	2KV
工作温度/Operating Temperature	-35℃ - 85℃
储存温度/Storage Temperature	0℃ - 25℃
操作湿度/Relative Humidity	10%-95%(Variant Performance)

声明/STATEMENT

上述数据是基于本公司对产品特性的一般了解，仅供一般信息参考。客户购买本产品时应在实际应用条件下测试结果来自行决定是否适用。英诺尔向购买者保证其在材料和工艺上没有不良。The above data is based on our company general understanding of the product attribute, is just for general reference. Buyer should evaluate product under the condition of practical application to decide whether it is suitable for your application. XMinnov guarantee their products to the buyers that there is no defect on product material and fabrication.

批准Approved By:林阿霞
日期Date:2023/11/22

制作审核Prepared & Checked By:林阿霞
日期Date:2023/11/22